

SINGLE PANEL KIOSK W/ROOF

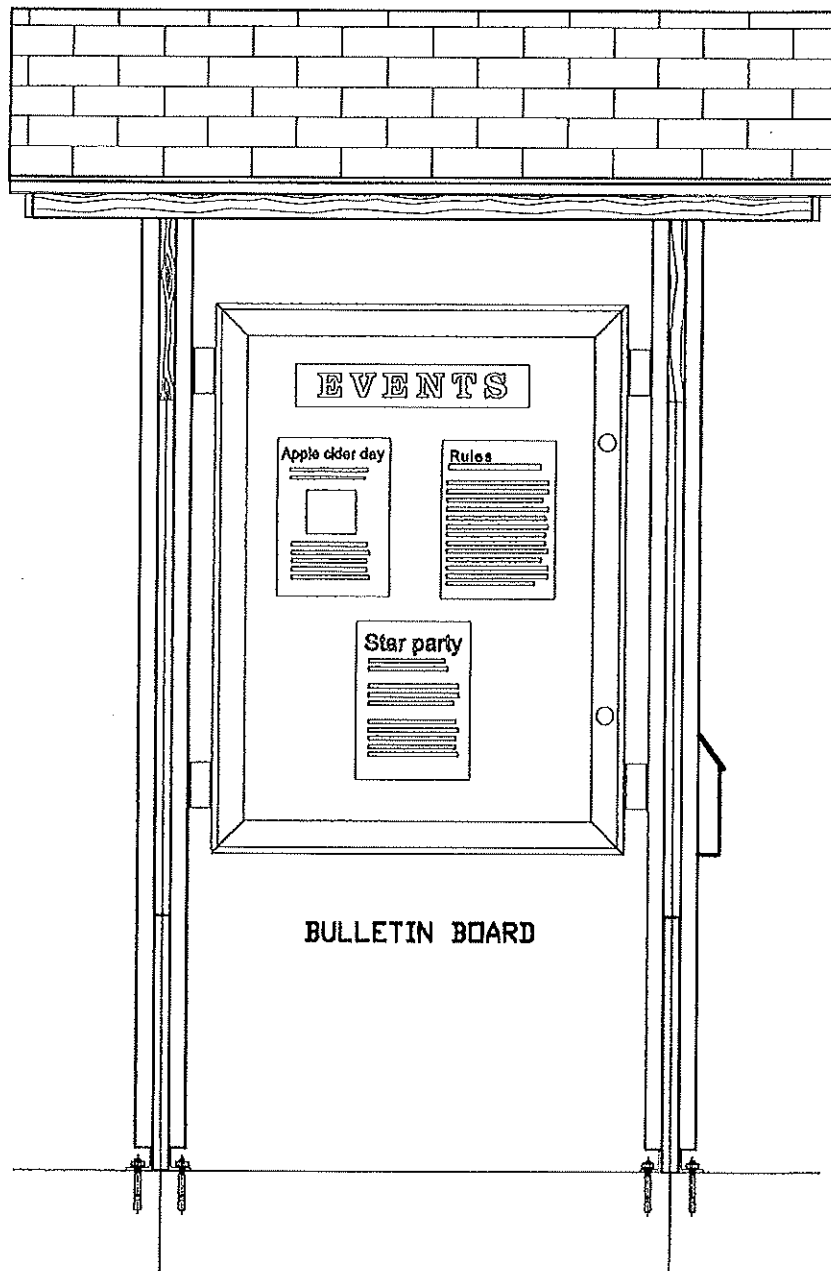
Figure A



TOP ELEVATION

W/O ROOF

Single panel kiosk
Standard (SPR) 1 bulletin case with roof



BULLETIN BOARD

FRONT ELEVATION

Figure A-1

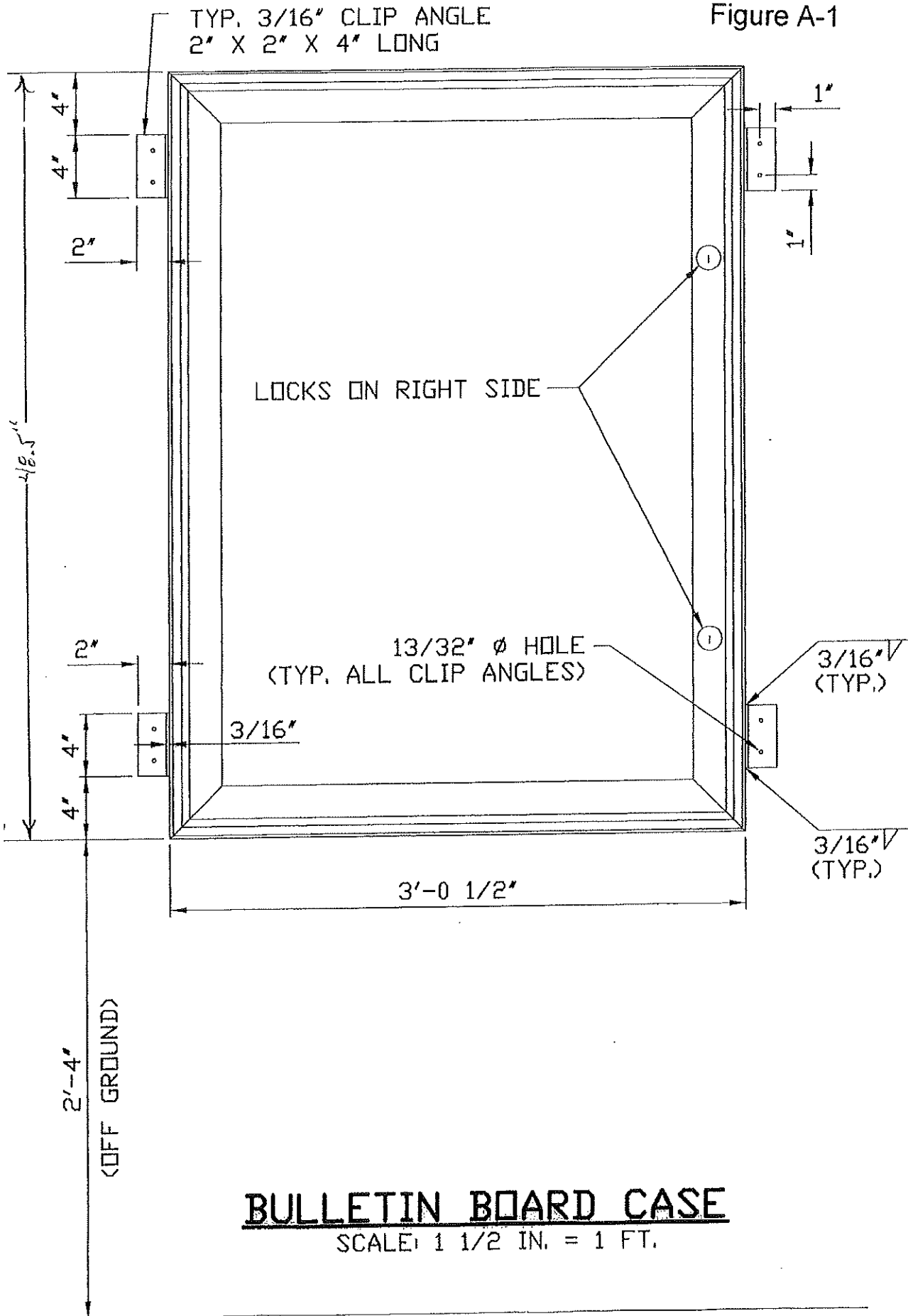
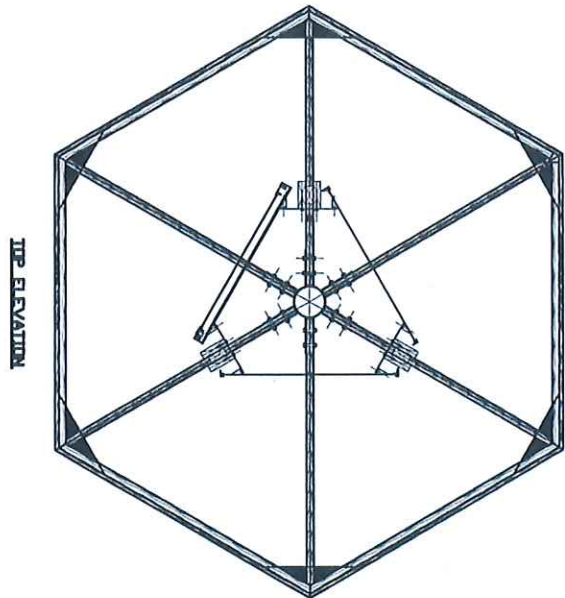
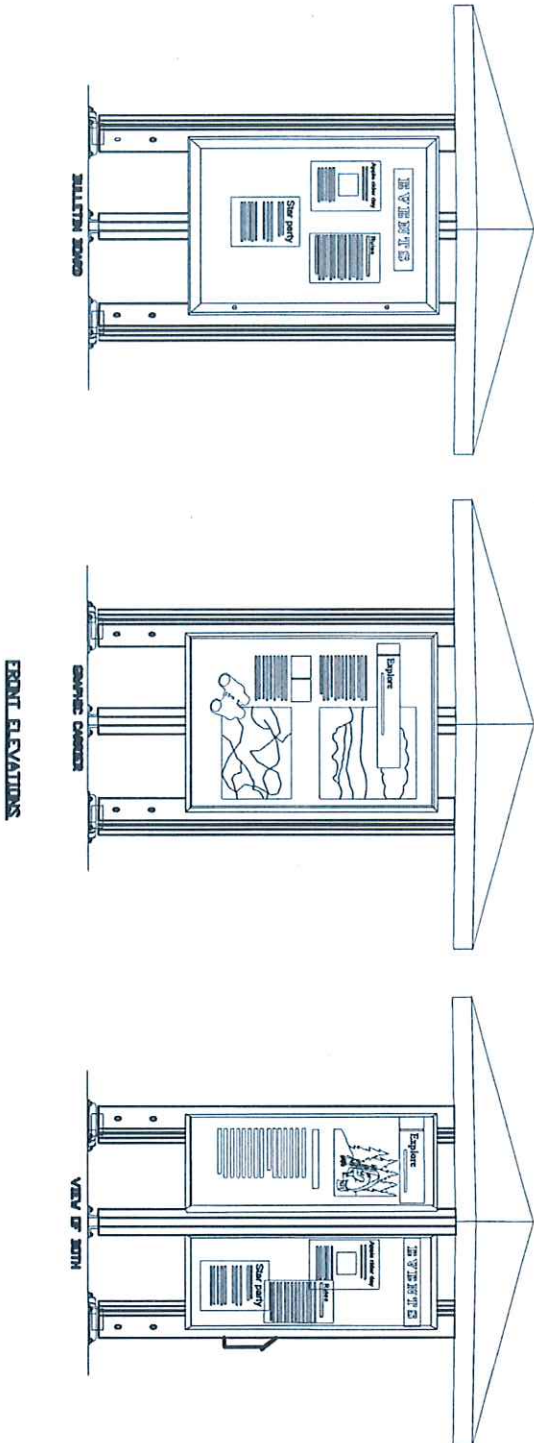


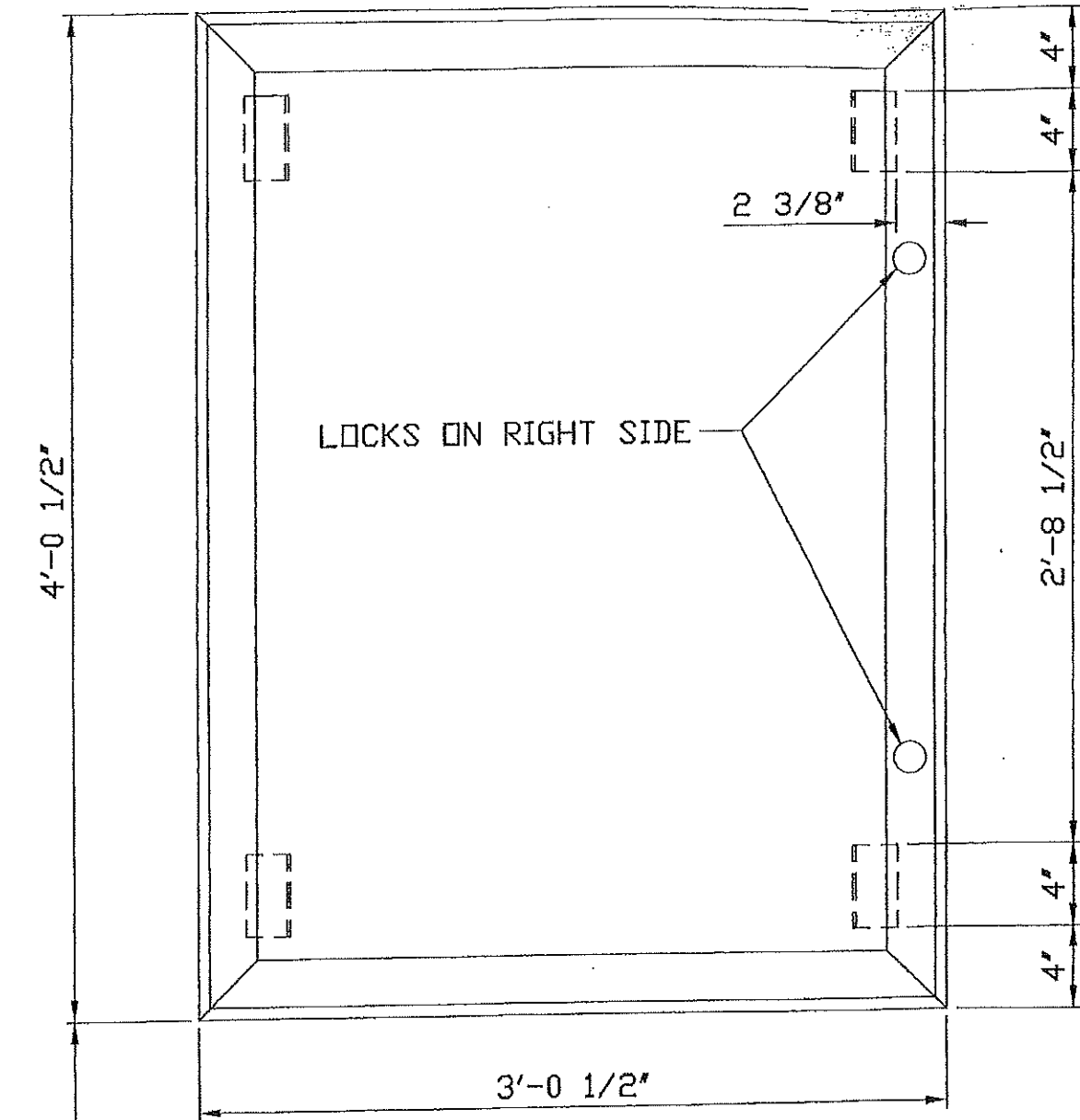
FIGURE B

**TRIANGULAR PANEL KIOSK
W/ ROOF (Option A – 1 graphic carrier, 2 bulletin board cases)**



**TRIANGULAR PANEL KIOSK
W/ROOF**

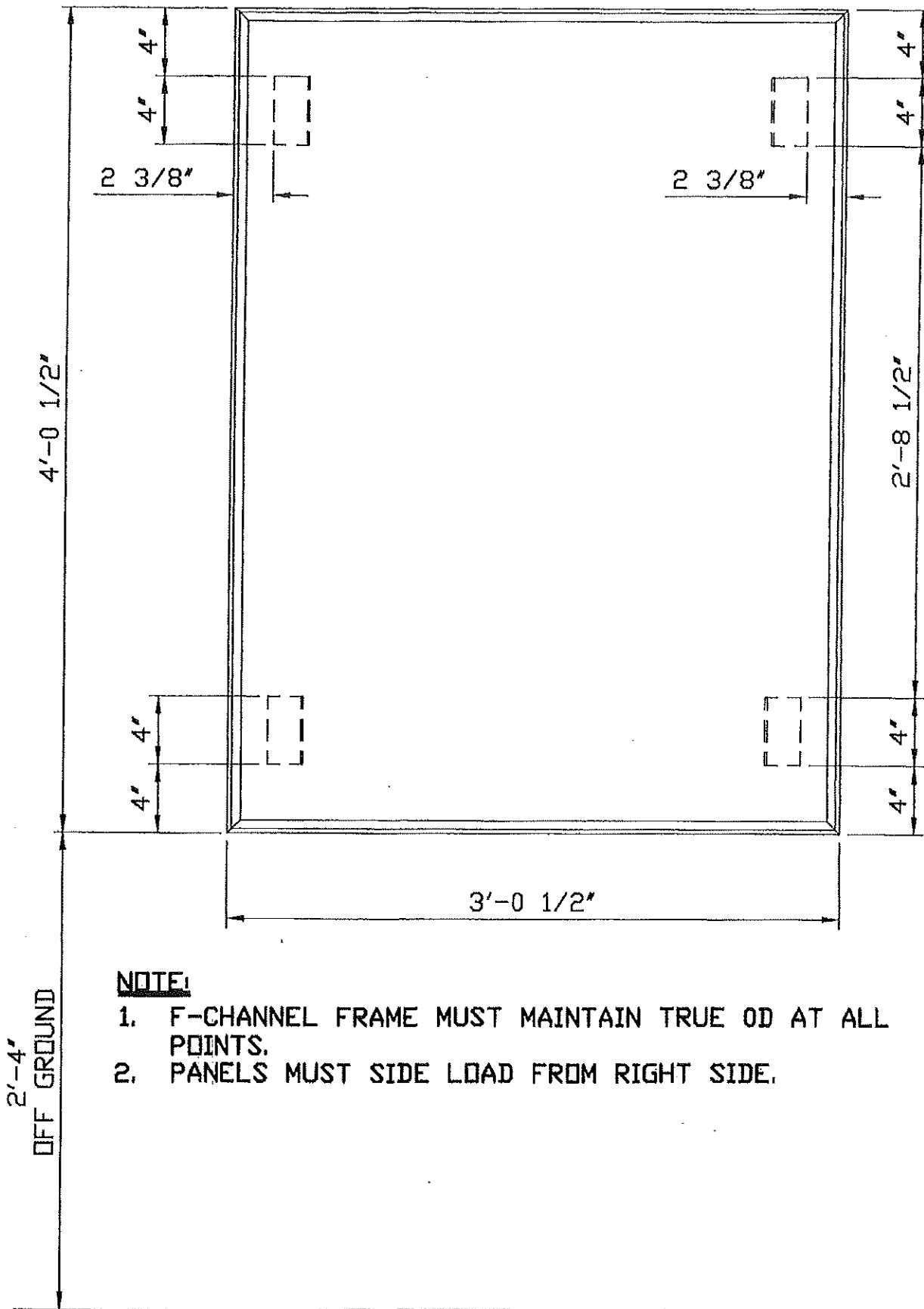
Figure B-1



Bulletin Board Case

2'-4"
OFF GROUND

Figure B-2

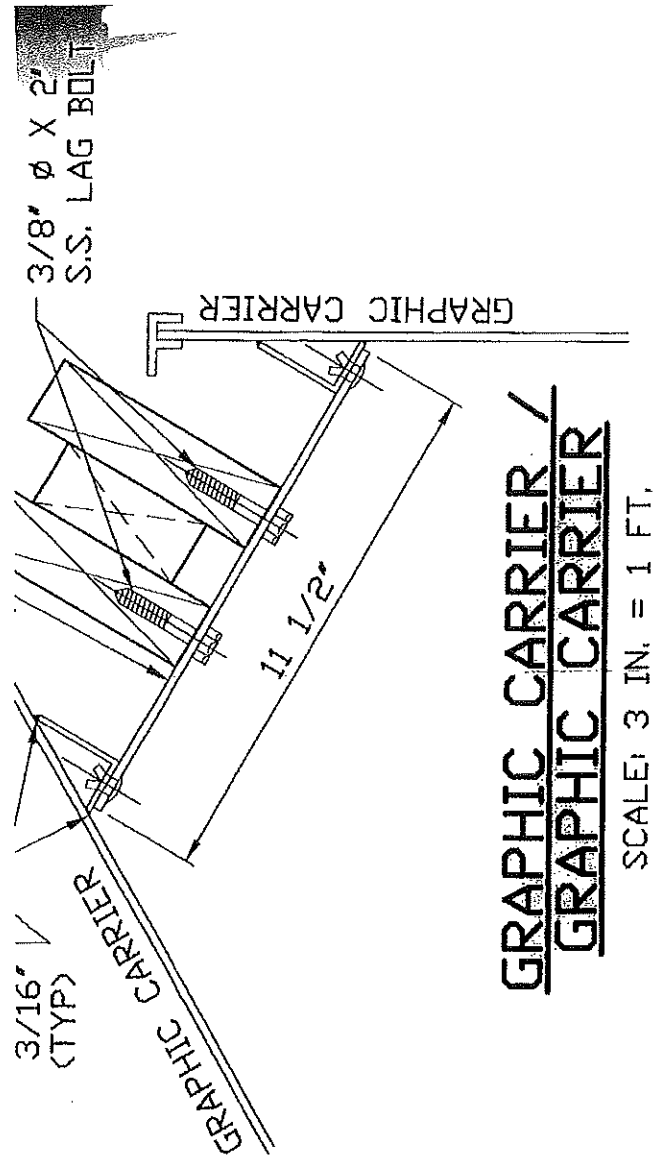


GRAPHIC CARRIER

SCALE: 1 1/2 IN. = 1 FT.

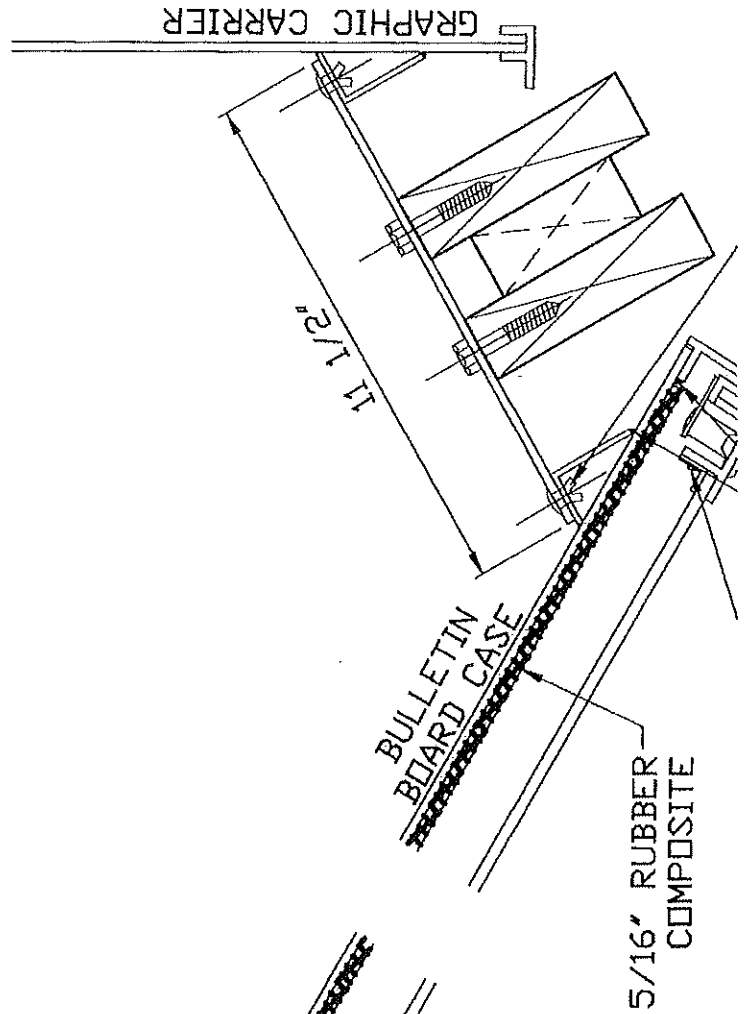
ALL DIMEN
CHECKED ✓

Figure B-3



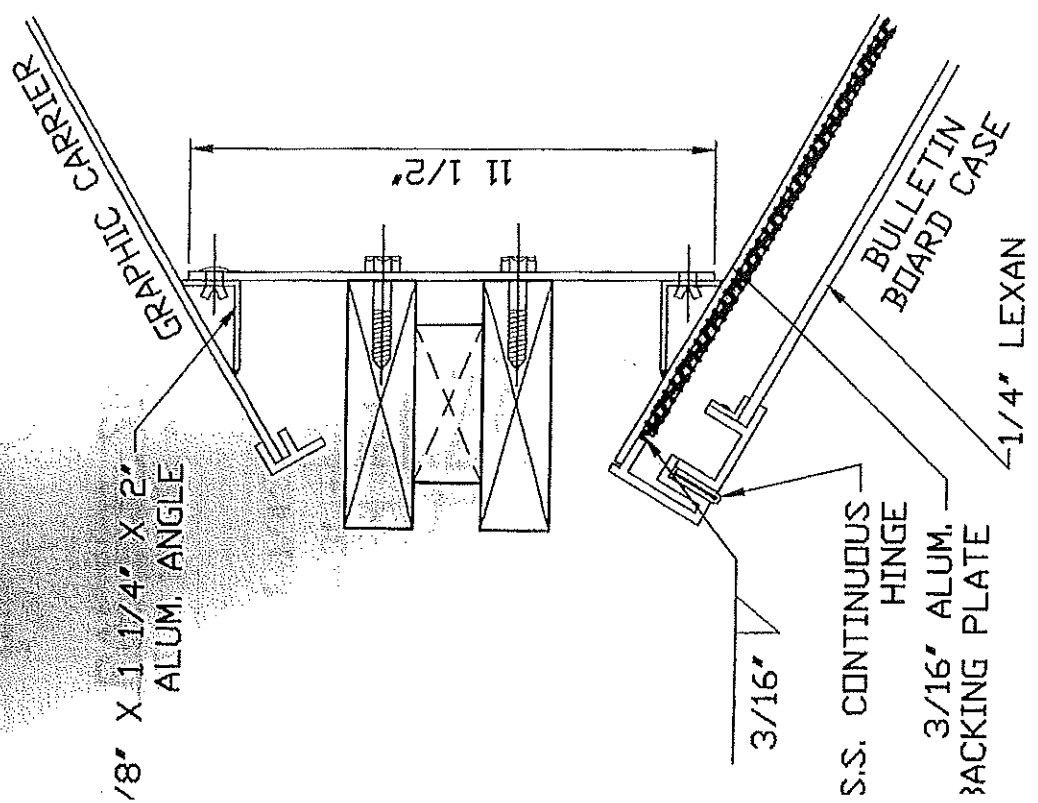
**GRAPHIC CARRIER /
GRAPHIC CARRIER**

SCALE: 3 IN. = 1 FT.



**BULLETIN BOARD CASE /
GRAPHIC CARRIER**

SCALE: 3 IN. = 1 FT.



3/8" Ø X 2"
SS. LAG BOLT

3/16" (TYP)

1/8" X 1 1/4" X 2"
ALUM. ANGLE

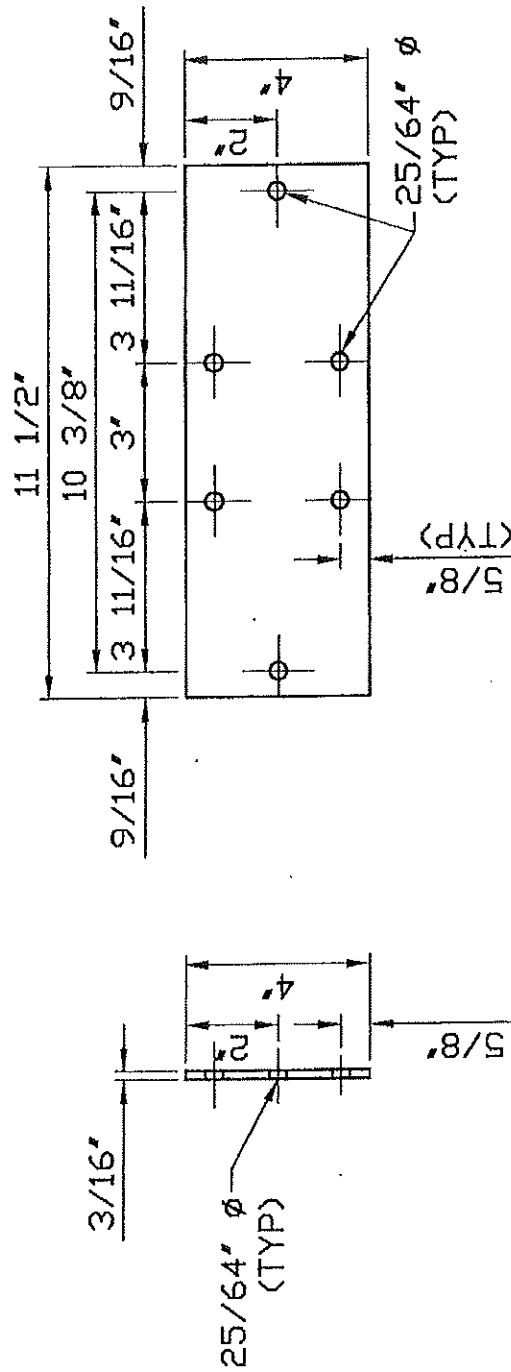
3/16" S.S. CONTINUOUS HINGE

3/16" ALUM. BACKING PLATE

1/4" LEXAN

5/16" RUBBER COMPOSITE

Figure B-4

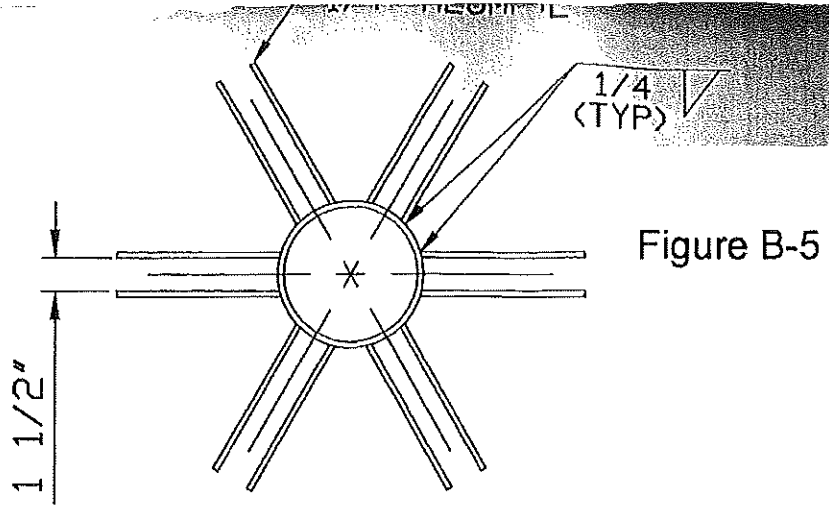


SIDE VIEW

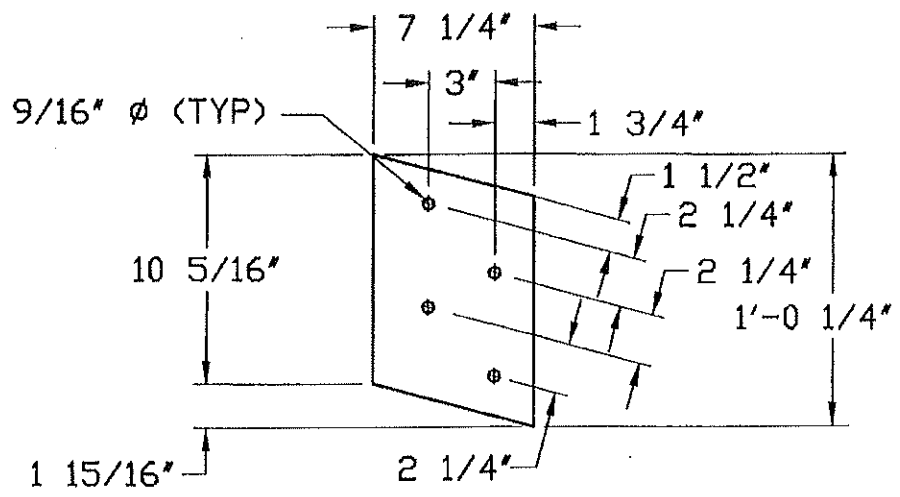
FRONT VIEW

ALUM. MOUNTING BRACKET

SCALE: 3 IN. = 1 FT.



ALUM. ROOF RAFTER SPIDER PLAN
 SCALE: 1 1/2 IN. = 1 FT.



1/4" ALUM. SPIDER LEG PLATE DETAIL
 SCALE: 1 1/2 IN. = 1 FT.

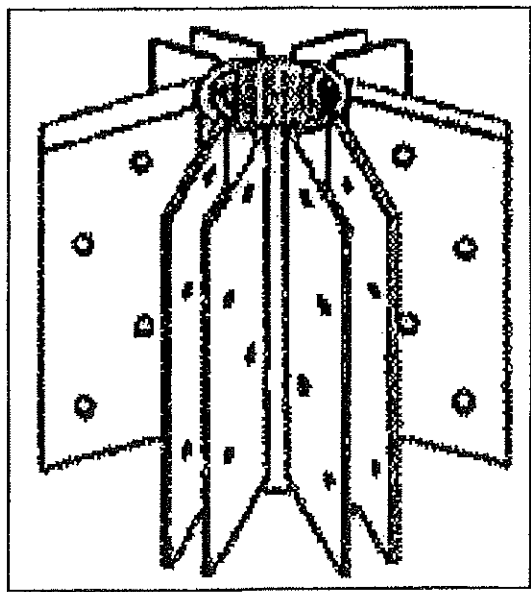
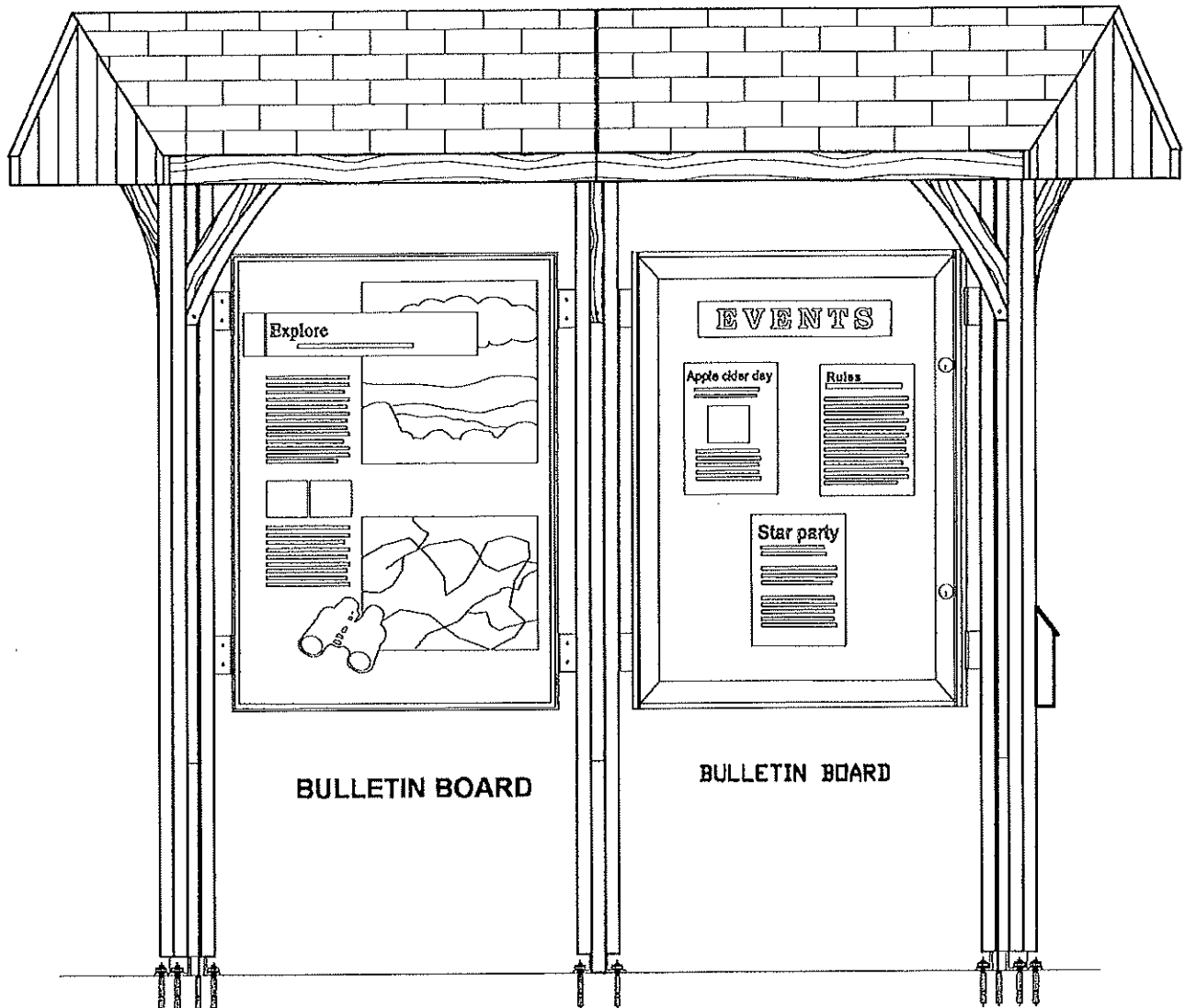
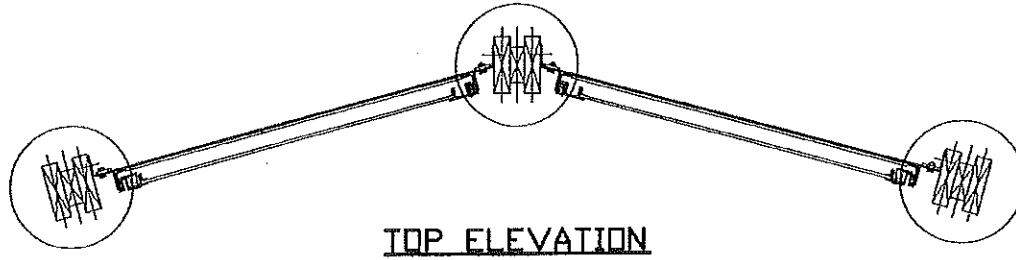


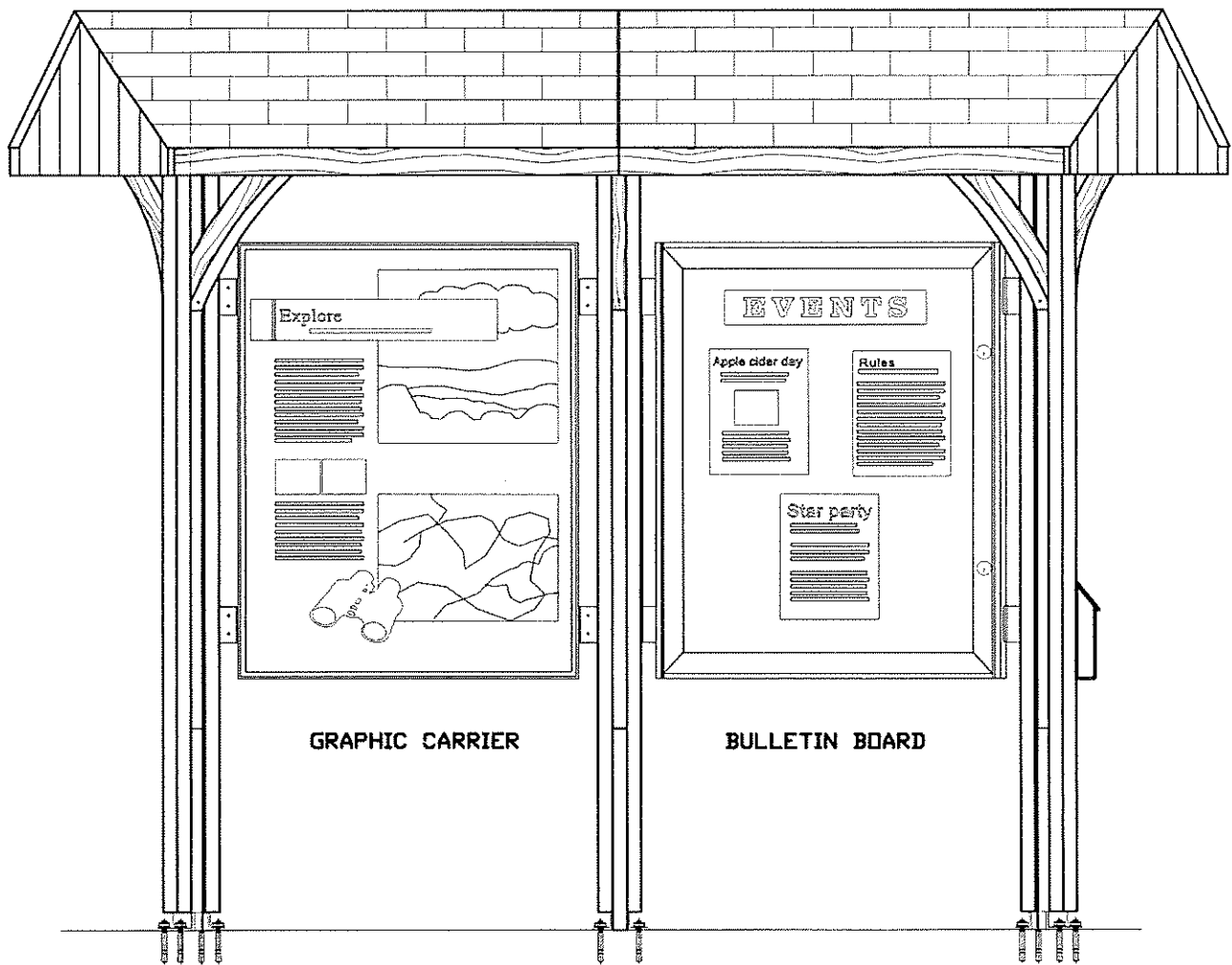
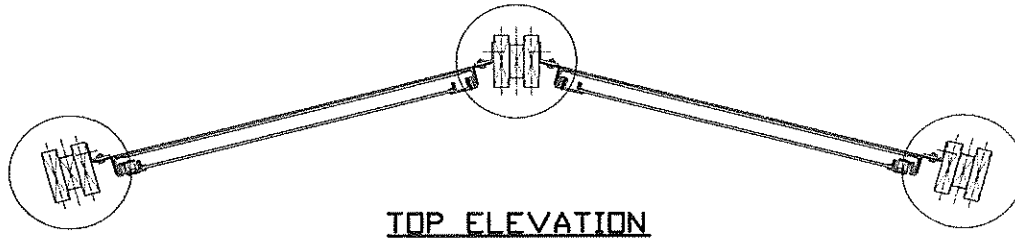
Figure C

DOUBLE PANEL "V" KIOSK W/ROOF



FRONT ELEVATION

DOUBLE PANEL "V" KIOSK W/ROOF

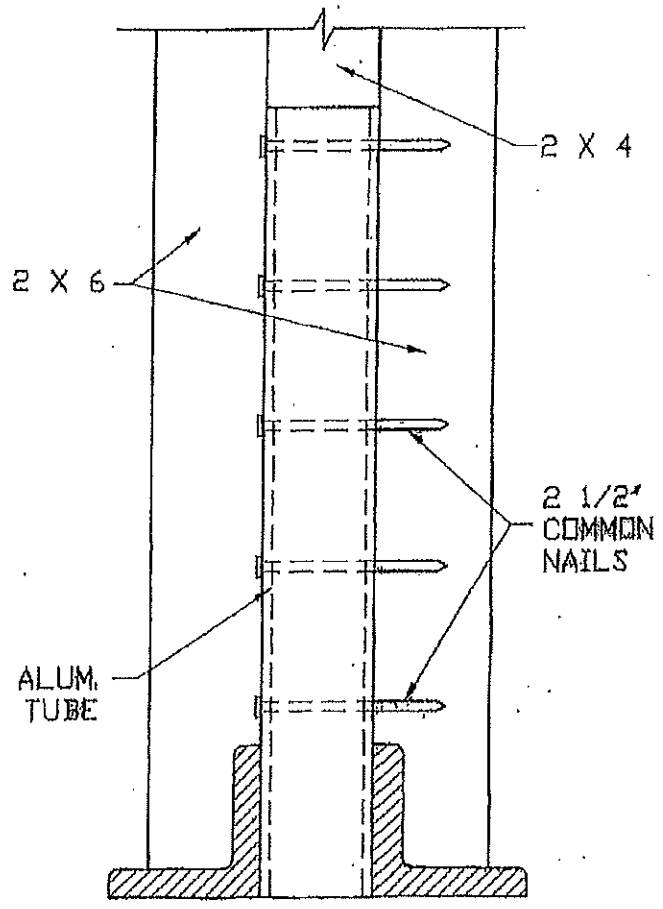


$\frac{3}{8}$ "
2"

4 1/2"

2 X 6 LEG CUTTING DETAIL (4 TOTAL)

SCALE: 1 IN. = 1 FT.



Leg Tube Detail

2 X 4 SUPPORT LEG CUTTING DETAIL (2 TOTAL)

SCALE: 1 IN. = 1 FT.

